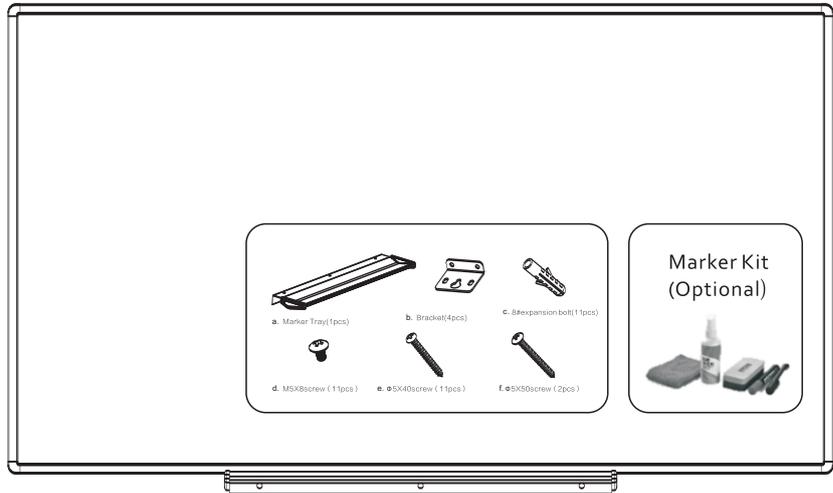


Remarkable Screen Series

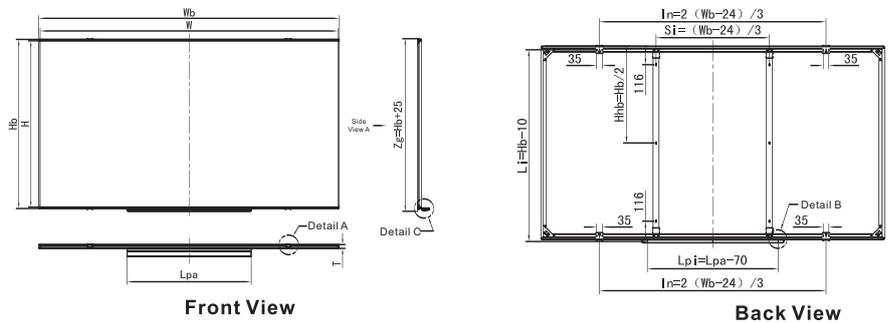


OVERVIEW

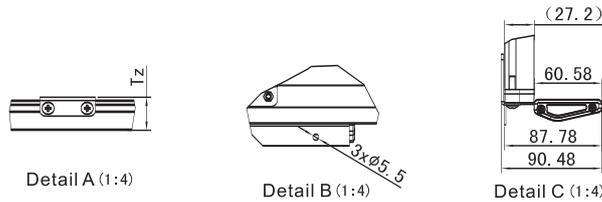
Model. LF-WBxxx

Specifications

Side & Back View



Detail View



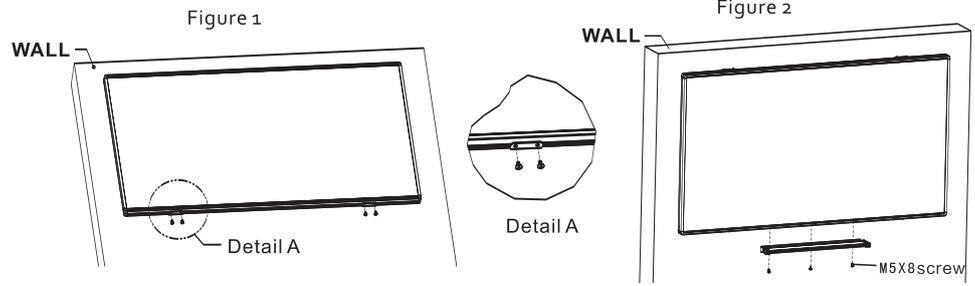
Specifications

Format	16:9				16:10				2:1		
Nominal Diagonal	80"	96"	108"	120"	70"	89"	100"	110"	87"	106"	131"
Viewing Size (W×H)	inch 69"×38 3/4"	83 3/4"×47 1/2"	94 1/4"×53"	104"×58 1/2"	59 1/4"×37"	75 1/2"×47 1/2"	85"×53"	93 3/4"×58 1/2"	77 3/4"×38 3/4"	94 1/2"×47 1/2"	117"×58 1/2"
	mm 1755×987	2133×1207	2400×1350	2645×1487	1504×940	1920×1207	2160×1350	2380×1487	1974×987	2400×1207	2974×1487
Overall Size (W×H)	inch 69 3/4"×42 1/2"	84 3/4"×48 1/4"	95 1/4"×53 3/4"	104 3/4"×59 1/4"	60"×37 3/4"	73 1/4"×48 1/4"	85 3/4"×53 3/4"	94 1/2"×59 1/4"	78 1/2"×39 1/2"	95 1/4"×48 1/4"	117 3/4"×59 1/4"
	mm 1775×1007	2153×1227	2420×1370	2655×1507	1524×960	1940×1227	2180×1370	2400×1507	1994×1007	2420×1227	2994×1507
Length of Tray	inch 24 1/2"	34 1/2"	34 1/2"	34 1/2"	24 1/2"	34 1/2"	34 1/2"	34 1/2"	24 1/2"	34 1/2"	34 1/2"
	mm 625	880	880	880	625	880	880	880	625	880	880

Data sheet

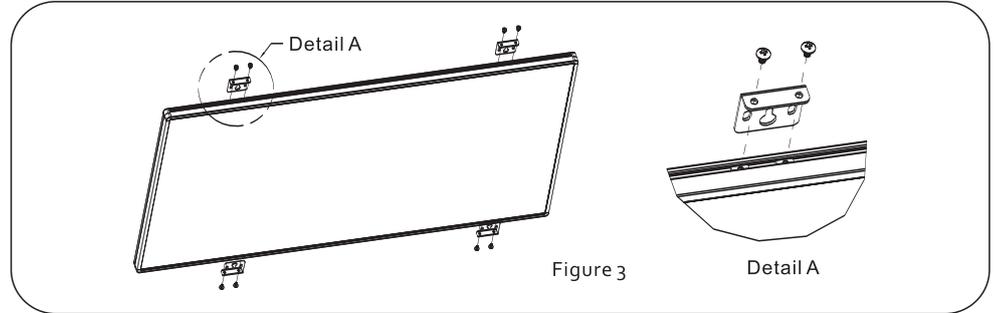
Step 1 Install the marker tray

Average the screw nuts in the button slot as figure 1. And then screw up the Pen Panel By M5x8 Screws as figure 2



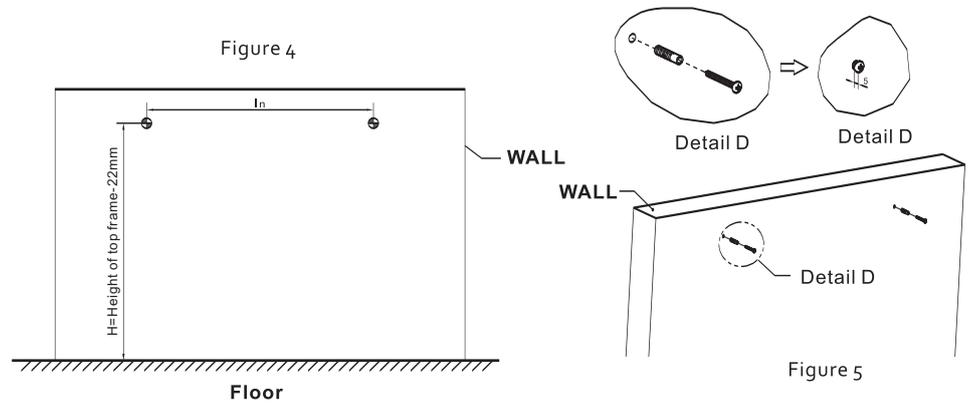
Step 2 Install the Installation Brackets

Average the screw nuts in the top slot and screw up the Brackets by M5x8 Screws as figure 3.



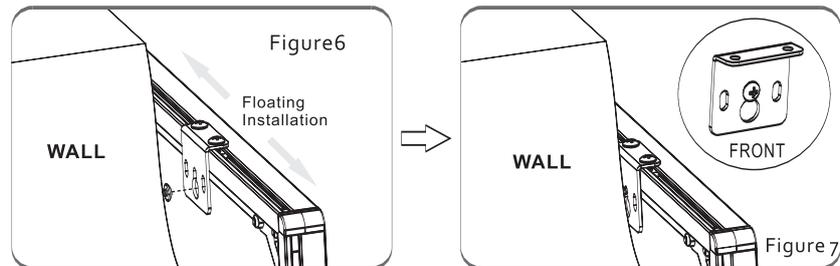
Step 3 Positioning the Top Installations.

Refer to the data sheet, find the Best viewing height based on the Actual application and remember To make it balance. After that, Install the screws into wall.



Step 4 Hang it up!

Hang up the screen side by side.



Step 5 Safe the screen by Position & install the Button brackets.

Position and mark down the Screws of button brackets. And Then screw up and well done!

